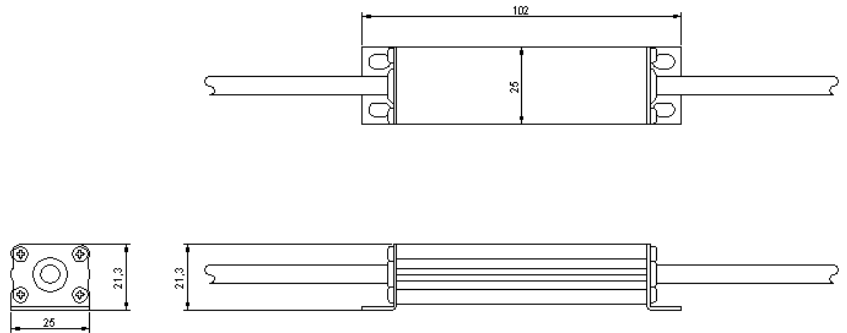


## 2 Channel Cluster Transmitter(LH-DIF-05)



### Features

- \*.Driver Output Capability  $\pm 60$  mA Max
- \*.Waterproof(IP66)
- \*.Full aluminum body
- \*.Thermal-Shutdown Protection

### The Technical Specifications of 2CH Cluster Transmitter(LH-DIF-05)

Descriptions	Specifications	Remarks
1. Power Consumption	1 W	
2. Operating Voltage	6~ 30 VDC	
3. Input signal	TTL/CMOS 5V x 2 channel	
4. Output signal	TIA/EIA-485-A x 2 channel	
5. Data rate	150Mbps	Max.
6. Water proof	IP66	
7. line length	500mm	
8. Operating Temperature	-20°C ~ +60°C	
9. Outline Size	103mm x25mm (H)22mm	
10. Weight	105g	